

INSTALLATION STEPS



FREESTANDING

General information on building beach volleyball courts:

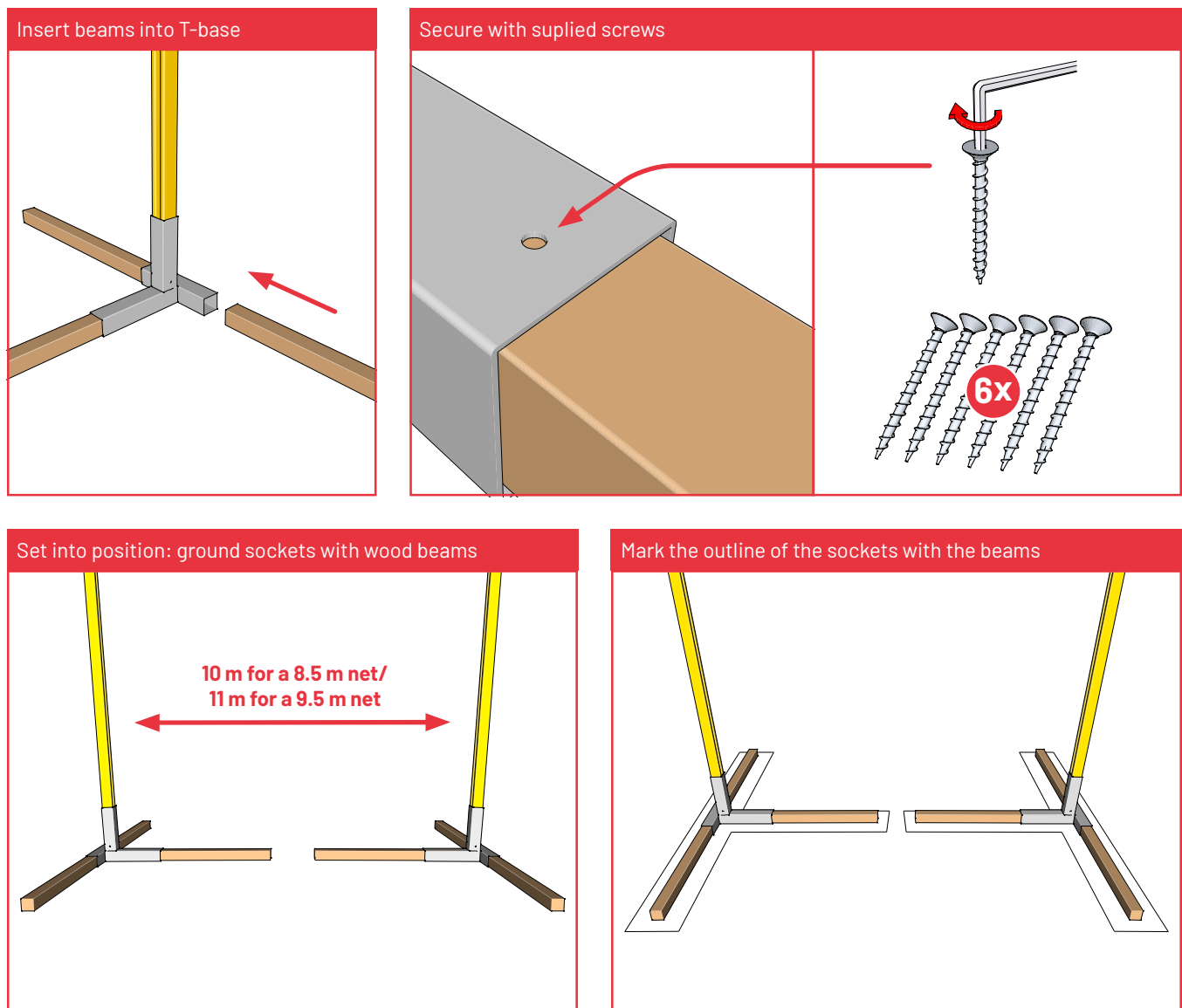
When building a sand court we suggest to fill up the sand first of all. Afterwards you can just dig in the freestanding City Beach ground sockets and set up the net system. We consider a permanent sand level of 40-50 cm as ideal. It is recommended to fill the sand higher towards the centre of the two halves of the court. It will be „played away“ from here towards the net and outwards. Please make sure to create a minimum sand level of 35 cm around the ground sockets for this type of ground installation.

Example: Approximately 250 tons sand are required for a sand court with 14 x 22 m dimensions (for recreational sports) and a sand level of approximately 45 cm. Calculation: volume in m³ x density factor (e.g.: 1.8 - depending on the grain size and the sand quality)



Required for assembly:

Pressure-treated square wood beams, 6 pieces, each 1500 x 88 x 88 mm (maximum dimensions: 1500 x 90 x 90 mm), e.g. made of pine wood or equivalent, suitable for permanent ground contact.

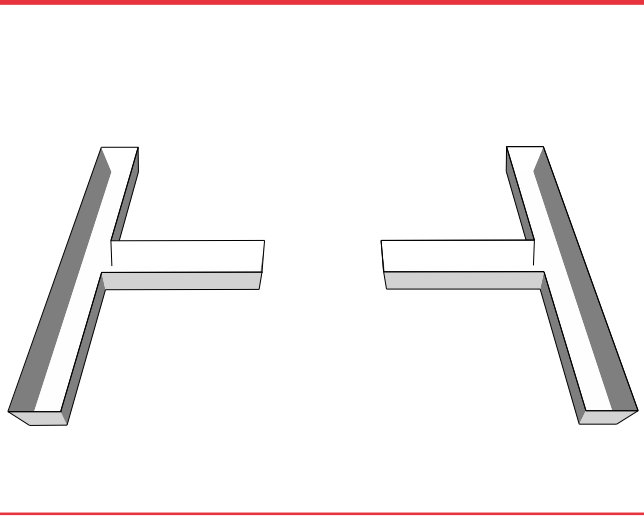


INSTALLATION STEPS

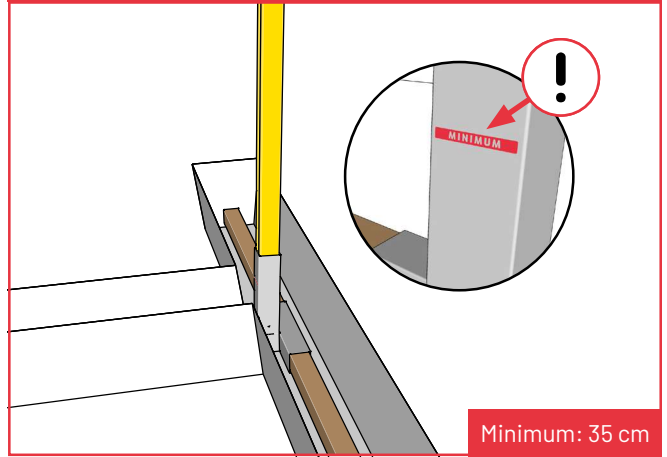


FREESTANDING

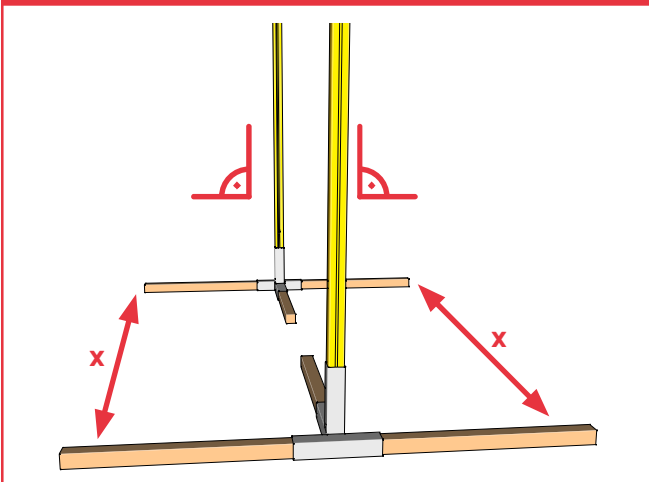
Excavate sand according to outlines



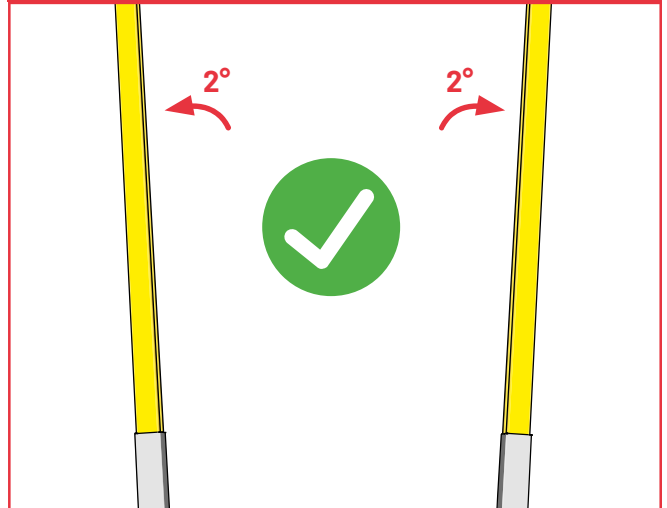
Place the ground sockets with the wood beams in the excavation, keeping a distance from it so that the sand edges do not collapse



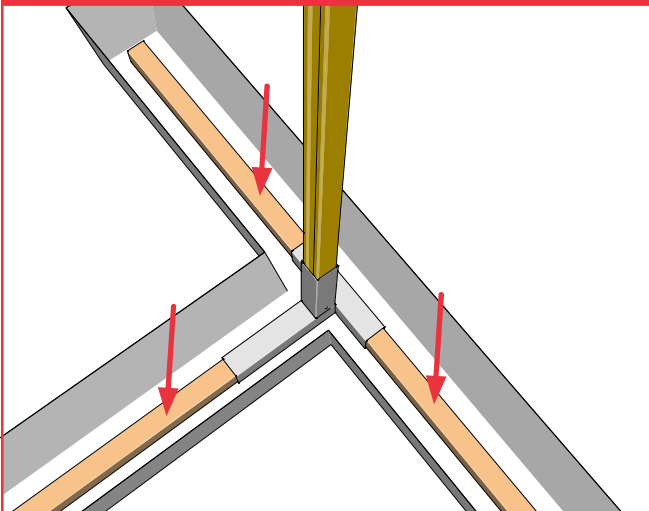
Align the sockets with each other - it is helpful to insert the net posts



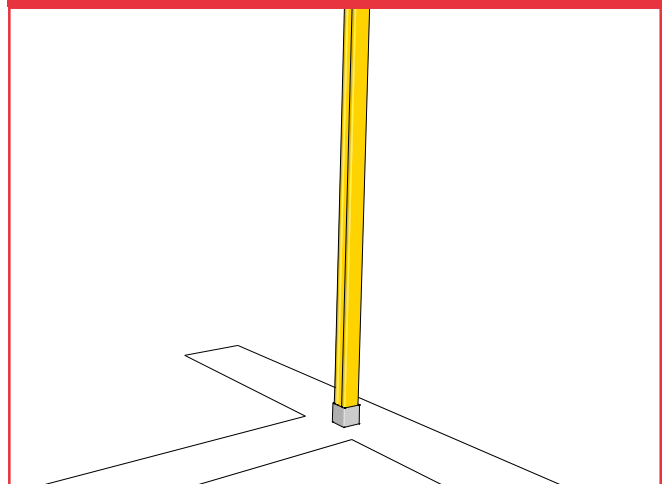
The sockets are already inclined outwards by 2° by design



Step on the wood beams to press them firmly into the sand



Fill up the excavation. Be careful not to move the beams when doing this!



ACCESSORIES



FREESTANDING

Ground socket City Beach
Item-No.: 111211

2x



Square wood beams, 6-piece, for 1 pair
of net posts, Item-No.: 111232

1x



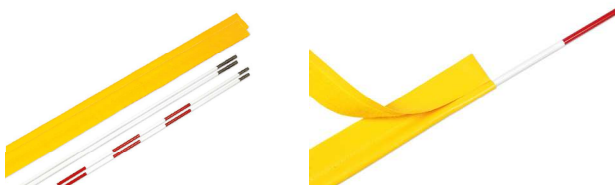
Pro Beach courtline
Item-No.: 111304

1x



Pro Beach net PLUS, incl. net antennas PLUS, 2-piece, with
velcro strap net holders, Item-No.: 111601

1x



Post pads, square-cut (100 x 100 mm), 1 pair
Item-No.: 111353

1x

